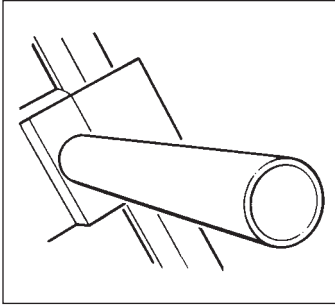


# Stacker Options



## Ram

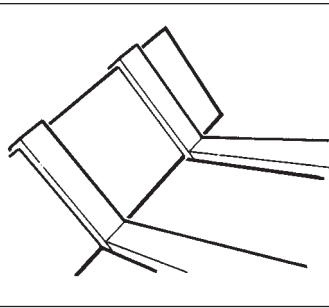
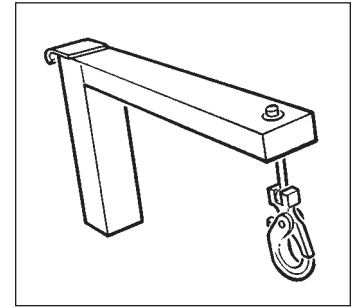
Interchanges with forks on adjustable fork models, for roll and coil handling.

Model Number	Description and Specification	Shipping Weight	List Price
RR1	Ram 2 1/2" round x 20" long, 1000 lb capacity @ 15" load center	13	\$ 130.00
RR2	Ram 2 1/2" round x 24" long, 1000 lb capacity @ 18" load center	16	\$ 150.00
RR3	Ram 2 1/2" round x 13" long, 1000 lb capacity @ 13" load center	12	\$ 130.00
RR4	Ram 2 1/2" round x 30" long, 1000 lb capacity @ 20" load center	20	\$ 180.00
RS1	Ram 3" square x 20" long, 1500 lb capacity @ 15" load center	15	\$ 140.00
RS2	Ram 3" square x 24" long, 1500 lb capacity @ 18" load center	24	\$ 160.00
RS3	Ram 2 1/2" square x 30" long, 1500 lb capacity @ 20" load center	22	\$ 180.00
RS4	Ram 3" square x 30" long, 1500 lb capacity @ 20" load center	27	\$ 190.00
RS5	Ram 3" square x 36" long, 1500 lb capacity @ 24" load center	31	\$ 230.00

## Boom with Hook

Mounts on fork model backplates for lifting and suspending loads.

Model Number	Description and Specification	Shipping Weight	List Price
B13	13" boom with hook, 1000 lb capacity @ 13" load center	22	\$ 170.00
B15	15" boom with hook, 1000 lb capacity @ 15" load center	22	\$ 170.00
B20	20" boom with hook, 1000 lb capacity @ 20" load center	25	\$ 210.00
B25-25	25" boom with hook, 1500 lb capacity @ 24" load center	46	\$ 260.00



## Forks

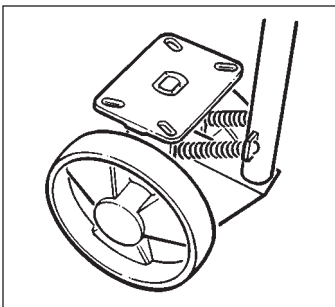
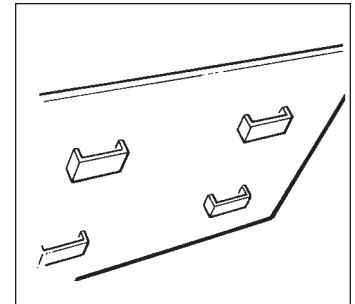
Model Number	Description and Specification	Shipping Weight	List Price
AF25	Adjustable forks, pair 25" length	62	\$ 120.00
AF30	Adjustable forks, pair 30" length	72	\$ 140.00
AF36	Adjustable forks, pair 36" length	114	\$ 280.00
AF42	Adjustable forks, pair 42" length	130	\$ 290.00
BP	Forks bolted in place	N/A	\$ 30.00
FF	Forks flat to the floor	N/A	\$ 40.00

Custom fork and backplate sizes available, please consult customer service

## Slip on Platform

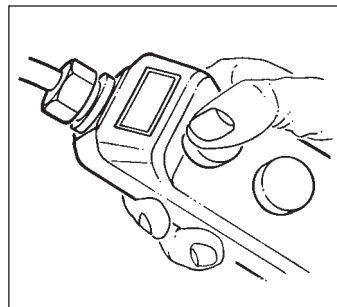
Model Number	Description and Specification	Shipping Weight	List Price
SP24	Slip-on platform, 24" x 24" for 13" and 15" load center	32	\$ 160.00
SP32	Slip-on platform, 32" x 30" for 18" and 20" load center	52	\$ 180.00
SP40	Slip-on platform, 40" x 36" for 24" load center	95	\$ 260.00

Custom platform sizes available, please consult customer service



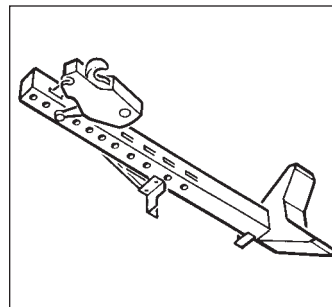
### Fifth Wheel:

Recommended for lifts with wide straddles and heavier load capacities. 8" polyurethane plastic wheel and spring loaded handle. Factory installed on B800 and BT800 Series only. FW: Weight 32 lbs. \$300.00.



### Remote Control:

Not for lifting personnel. Must be factory installed. For Battery or Electric AC operated lifts.  
RC-10: One station. Weight 2 lbs. \$270.00  
RC-20: Two station. Weight 4 lbs. \$320.00  
FC-10: Foot control. Weight 15 lbs. \$350.00



### Drum Grab Handler DG30:

Automatically grabs 30 and 55 gallon drums for handling and stacking in a vertical position. Mounts on the backplate of any straddle fork model. Parrot-beak mechanism for steel and fibre drums.  
DG-30: Weight 36 lbs. \$1,250.00  
DG-30PS: For Pallet Straddle Stacker. Weight 51 lbs. \$1,450.00  
(Not available for counterweight lifts.)



### Fire Resistant Hydraulic Fluid:

water-glycol fluids are fire resistant, non-explosive and non-toxic. Approved by Factory Mutual Insurance Engineering Laboratories – add \$125.00.